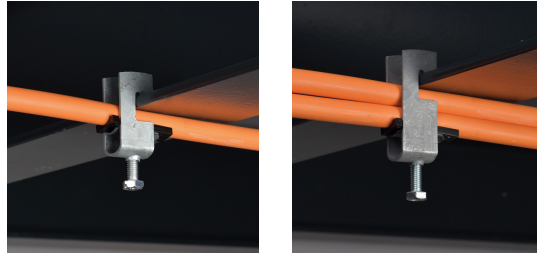
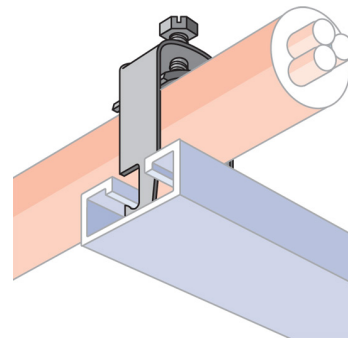
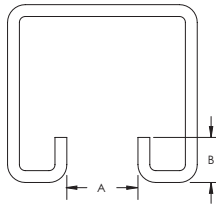
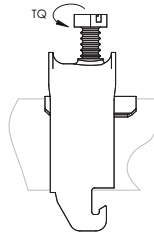
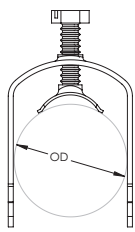


# C-EC Cable to Strut Clamp



- One-piece cable/conduit clamp with protective boot
- No screws or bolts to drop
- Requires only a screwdriver or nutdriver for installation
- Fits into open side of strut channel



Material: Steel  
Finish: Hot-Dip Galvanized

Part Number	Article Number	Outer Diameter OD	Torque TQ	A	B
C12EC	337600	8 – 12 mm	2 N-m	18 mm Min	10 mm Max
C16EC	337610	12 – 16 mm	2 N-m	18 mm Min	10 mm Max
C20EC	337620	16 – 20 mm	2 N-m	18 mm Min	10 mm Max
C24EC	337630	20 – 24 mm	2 N-m	18 mm Min	10 mm Max
C28EC	337640	24 – 28 mm	2 N-m	18 mm Min	10 mm Max
C32EC	337650	28 – 32 mm	2 N-m	18 mm Min	10 mm Max
C36EC	337660	32 – 36 mm	2 N-m	18 mm Min	10 mm Max
C40EC	337670	36 – 40 mm	2 N-m	18 mm Min	10 mm Max
C44EC	337680	40 – 44 mm	4 N-m	18 mm Min	10 mm Max
C48EC	337690	44 – 48 mm	4 N-m	18 mm Min	10 mm Max
C52EC	337700	48 – 52 mm	4 N-m	18 mm Min	10 mm Max
C56EC	337710	52 – 56 mm	4 N-m	18 mm Min	10 mm Max
C60EC	337720	56 – 60 mm	4 N-m	18 mm Min	10 mm Max
C64EC	337730	60 – 64 mm	4 N-m	18 mm Min	10 mm Max
C70EC	337740	64 – 70 mm	4 N-m	18 mm Min	10 mm Max
C76EC	337750	70 – 76 mm	4 N-m	18 mm Min	10 mm Max
C82EC	337760	76 – 82 mm	4 N-m	18 mm Min	10 mm Max

Part Number	Article Number	Outer Diameter OD	Torque TQ	A	B
C88EC	337770	82 – 88 mm	4 N-m	18 mm Min	10 mm Max
C94EC	337780	88 – 94 mm	4 N-m	18 mm Min	10 mm Max
C100EC	337790	94 – 100 mm	4 N-m	18 mm Min	10 mm Max

Screw is electrogalvanized on clamps that have an outer diameter of 40 mm or less.

**WARNING**

nVent products shall be installed and used only as indicated in nVent's product instruction sheets and training materials. Instruction sheets are available at [www.erico.com](http://www.erico.com) and from your nVent customer service representative. Improper installation, misuse, misapplication or other failure to completely follow nVent's instructions and warnings may cause product malfunction, property damage, serious bodily injury and death and/or void your warranty.

© 2019 nVent All rights reserved

nVent, nVent CADDY, nVent ERICO, nVent ERIFLEX and nVent LENTON are owned by nVent or its global affiliates.

All other trademarks are the property of their respective owners. nVent reserves the right to change specifications without prior notice.

